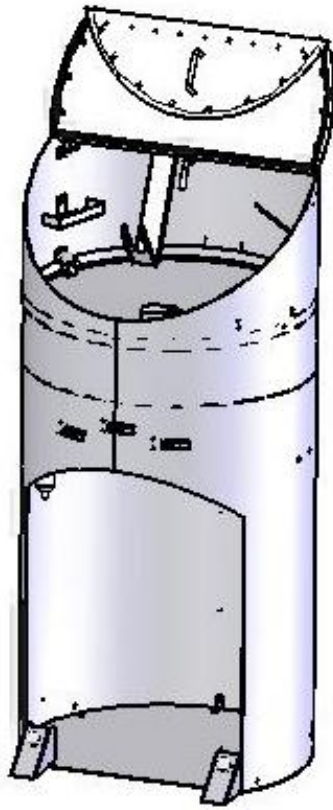


# ChemChamp

## Operator's Manual



Models 6A-000-M / 6A-000-A  
Manual/Automatic  
Gun Cleaner

# Table of Contents

<b>Important Safety Instructions</b>	Page 3
<b>Before you get started</b>	Page 4
<b>Installation Procedures</b>	
Installing the Manual Gun Cleaner	Page 5
Installing the Automatic Gun Cleaner	Page 5
Installing the Direct Connect System (DCS)	Page 6
<b>Operating Procedures</b>	
Operating the Manual Function	Page 7
Operating the Automatic Function	Page 7
Operating the Direct Connect System (DCS)	Page 8
<b>Servicing</b>	
Customer Servicing	Page 9
ChemChamp Servicing Procedures	Page 10
<b>Troubleshooting</b>	Page 11
<b>Fluid flow diagram</b>	Page 14
<b>Airflow diagram</b>	Page 15
<b>Components diagram</b>	Page 16
<b>Inner components diagram</b>	Page 17
<b>Warranty</b>	Page 18
<b>Parts return policy</b>	Page 18
<b>ChemChamp Contact Information</b>	Page 18
<b>Installation checklist</b>	Page 19

## IMPORTANT SAFETY INSTRUCTIONS

When using the Spray Gun and Equipment Cleaner, basic safety precautions should always be followed, including the following:

1. Read all instructions. Become familiar with the Material Safety Data Sheet for the solvents and the Operator's Manual for safe use of this equipment.
2. **DO NOT** install within 3' of any ignition source such as bench grinders, welding equipment, etc. or in the vicinity of open containers of flammable liquids. **DO NOT** place hot parts in the Spray Gun and Equipment Cleaner.
3. Use only as described in this manual. Use only manufacturer's recommended attachments. **DO NOT** modify this machine in any way.
4. **ALWAYS WEAR SAFETY GLASSES** and other protective equipment (e.g., gloves, apron, etc). Everyday eyeglasses only have impact resistant lenses. They are not safety glasses. Follow all safety information as described on the solvent label (or in the MSDS).
5. Ensure all bonding and grounding straps are in place and unit is connected to a proper earth ground.
6. **DO NOT** smoke, eat, or drink in the work area. Use good personal hygiene. Wash thoroughly with soap and water after handling and before eating, drinking, or using tobacco products.
7. **AVOID** repeated or prolonged breathing of vapors. Ensure the air exhaust system is connected and working properly. Exhaust from machine must be vented directly to the outside atmosphere or through an existing exhaust system.
8. Use **ONLY** the solvent provided. Do not remove any solvent. The use of other chemicals or paints may potentially cause a hazardous condition. Model units intended for use with water or solvent having a flash point greater than -5°F (-20°C).
9. **DO NOT** operate the unit if any leak is apparent or occurs during use. Contact your ChemChamp sales/service representative.
10. Pressure relief device must be provided in the air supply input.
11. **DO NOT USE BELOW GARAGE FLOOR OR BELOW GRADE LEVEL.**
12. Close cover when not in use.

## SAVE THESE INSTRUCTIONS

## **Before you get started**

Before installing the model 6A-000-A/6A-000-M Gun Cleaner, have a location picked out that allows you to easily install the exhaust hose to an outside source. Make sure that this location does not interfere with any doorways.

You will require the following items when installing a Gun Cleaner:

13. Five gallons of clean solvent (Be sure to use two-bung pail)
14. 12- inch adjustable wrench or bung wrench
15. Funnel
16. Flat tip screwdriver
17. 5/16" socket with ratchet.
18. 9/16" wrench

# Installation Procedures

(See Pages 14&15 for component locations)

## 1. Installing the Manual and Automatic Gun Cleaner:

- A. In the lower compartment, run the main grounding strap through the access hole in the back of the compartment and connect it to a ground source.
- B. In the lower compartment, connect the “dirty rinse holding tank” ground strap to the dirty rinse holding tank.
- C. In the lower compartment, make sure the drain hose is inserted into the dirty rinse holding tank. (See step Q if hooking up an automatic gun cleaner 6A-000-A)
- D. Locate and remove clamp from the exhaust using a flat tip screwdriver or a 5/16” socket.
- E. Locate the exhaust hose in the sink compartment and loosely place clamp around it.
- F. Slide exhaust hose over the exhaust and tighten clamp around the base of the exhaust using a flat tip screwdriver or a 5/16” socket. Connect other end of exhaust hose according to local regulations.
- G. If needed, locate manual brush in the sink compartment and slide the manual brush hose over main solvent spout.
- H. In the sink compartment locate the 2-inch cap for the clean wash tank.
- I. Remove cap by turning it counter clockwise using a 12-inch adjustable wrench.
- J. Using a funnel, pour approximately 4 gallons of clean solvent into the clean wash tank.
- K. Re-install cap on the clean wash tank.
- L. Pour approximately 1 gallons of clean solvent in the sink. This will drain into the dirty rinse holding tank.
- M. Connect an air hose nipple to the air filter/regulator located inside the lower compartment on the left.
- N. Make sure your On/Off switch at the front of the unit is set to OFF.
- O. Connect air hose to the regulator.
- P. Turn on air compressor and verify that the gun cleaner air regulator is set between 90 and 100 PSI. If not see troubleshooting section.

### ***The following pertains to the automatic only:***

- Q. In the lower compartment make sure the automatic suction tube is also inserted into the 2-bung recirculating can. (See step C above)

## **2. Installing the Direct Connect System (DCS):**

- A. Insert the dirty transfer straw into the 2-bung recirculating can (into the same hole the drain hose goes into).
- B. Remove brass plug from recycler's inlet port using a 9/16" wrench.
- C. Locate the "Distillation unit hose" behind gun cleaner. Twist hose counter clockwise 5 times and then thread it into the recycler's inlet port using a 9/16" wrench.
- D. Thread clean transfer straw into the 3/4" bung on the CC Drum lid.
- E. Locate the "CC Drum hose" behind gun cleaner and attach it to the clean transfer straw. Tighten clamp using a flat tip screwdriver or a 5/16" socket.
- F. Pour 15 gallons of clean solvent into the CC Drum. Do not transfer any solvent until the 2-bung recirculating can is full, and the clean wash tank is empty. (Refer to the Gun Cleaner operation section of this manual for this step.)
- G. Refer to the recycler set up manual to set up the basket ring and bag in the distillation chamber of the recycler.

# Operating Procedures

## 1. Operating the Manual Function:

- A. Recirculating pump operation:
  - i. Turn the function switch to “Manual” (if applicable).
  - ii. Turn the mode switch to “Gun Cleaner” (if applicable).
  - iii. Turn the On/Off switch to “ON”.
  - iv. Place your foot on the right foot pedal and push down.
  - v. Solvent takes approximately 5 seconds before it begins to flow out of spout. *(If solvent does not come out, see troubleshooting section)*
  
- B. Clean pump (final rinse) operation:
  - i. Turn the function switch to “Manual” (if applicable).
  - ii. Turn the mode switch to “Gun Cleaner” (if applicable).
  - iii. Turn the On/Off switch to “ON”.
  - iv. Place your foot on the left foot pedal and push down.
  - v. Solvent takes approximately 5 seconds before it begins to flow out of spout. *(If solvent does not come out, see troubleshooting section)*

## 2. Operating the Automatic Function (for 6A-000-A only):

- A. Automatic operation:
  - i. Place paint guns and other equipment to be cleaned in the appropriate cradles in the sink compartment.
  - ii. Close lid to sink compartment.
  - iii. Turn the function switch to “Automatic”.
  - iv. Turn the mode switch to “Gun Cleaner” (if applicable).
  - v. Turn the On/Off switch to “ON”.
  - vi. Turn the automatic timer knob so that the white line is pointing to “ON”.
  
- B. Clean pump (final rinse) operation:
  - i. Turn the function switch to “Manual” (if applicable).
  - ii. Turn the mode switch to “Gun Cleaner” (if applicable).
  - iii. Turn the On/Off switch to “ON”.
  - iv. Place your foot on the left foot pedal and push down.
  - v. Solvent takes approximately 5 seconds before it begins to flow out of spout. *(If solvent does not come out, see troubleshooting section)*

### **3. Operating the Direct Connect System (DCS):**

- A. Make sure that you have recycled 5 gallons of solvent and that the CC Drum is full.
- B. Install a new recovery bag into distillation chamber of recycler (See recycler's operator manual).
- C. Turn the main air supply switch to "ON".
- D. Turn the mode switch to "DCS" (Direct Connect System).
- E. Once transfer has been completed (the distillation chamber is full or the 2-bung recirculating can is empty) turn On/Off switch to "OFF".

*The transfer should only be performed when you have run out of clean wash solvent*



# Servicing

## 1. Customer Servicing

<b>Service task</b>	<b>Procedure</b>	<b>Frequency</b>
1. Cleaning the 2-bung recirculating can	<ul style="list-style-type: none"><li>- Remove 2-bung recirculating can from lower compartment</li><li>- Loosen setscrew from the neck of the recirculating pump.</li><li>- Remove recirculating pump</li><li>- Pour 1 gallon of clean solvent into 2 bung recirculating can.</li><li>- Agitate contaminants with a stir stick or scrub brush.</li><li>- Empty contents into a waste drum.</li><li>- Repeat cleaning process until satisfied.</li></ul>	Every 3 months or as needed.
2. Air regulator bowl cleaning	<ul style="list-style-type: none"><li>- Disconnect air hose from air regulator.</li><li>- Unscrew bowl from regulator by turning it counter clockwise</li><li>- Empty bowl of its contents</li><li>- Re-attach bowl to air regulator.</li><li>- Re-connect air to air regulator</li></ul>	Weekly or as needed
3. Cleaning automatic rinse nozzle (Long)	<ul style="list-style-type: none"><li>- Insert the nozzle-cleaning rod that is attached to the guncleaner into the nozzle opening. Clear debris.</li></ul>	Weekly or as needed
4. Cleaning automatic rinse nozzle (Short)	<ul style="list-style-type: none"><li>- Insert the nozzle-cleaning rod that is attached to the guncleaner into the nozzle opening. Clear debris.</li></ul>	Weekly or as needed
<b><i>Make sure to service your air compressor regularly as per operator's booklet</i></b>		

## 2. ChemChamp Servicing Procedures

1. Bring 1 two-bung recirculating can of clean solvent and a bung wrench.
2. Using the existing solvent in unit (if possible) check to see that all pumps and systems are working properly. If they are, move to section 3 if not, resolve issues. If needed, please contact ChemChamp at 800-894-0688 for assistance.
3. Use any remaining solvent in the clean tank (left pedal) to clean the workstation and exterior of the unit. Make sure to pump any remaining solvent into the two bung-recirculating container. If there is no clean solvent remaining, use the recirculating solvent to clean the workstation and use a small amount of clean solvent to rinse.
4. Remove the ground strap, drain hose, pump, automatic suction tube (if applicable) and dirty transfer straw (if applicable) from the two-bung can, located underneath the unit. Slide the two-bung can and secondary container out from underneath the unit. Remove the old two-bung can from the secondary container. Place the secondary container back underneath the unit and place the pump, drain hose, and siphon tube inside.
5. Remove the 2" bung on the clean tank located in the sink. Using a funnel, pour approximately 4 gallons into the tank. Place the two-bung can with the remaining solvent (approximately 1 gallon) back inside the outer container. Insert the pump, drain hose, automatic suction tube (if applicable) and dirty transfer straw (if applicable) into the can. Replace the ground strap and slide it back into the base of the unit.
6. Check all connections and pump operation as noted in the Operating Procedures sections 1 & 2.

# Troubleshooting

1. **Symptom:** I press on the left foot pedal and solvent is not coming out of spout (Even after 5 seconds).

## What to look for:

- Are the switches in the proper positions?
  - Is there solvent present in the clean wash tank?
  - Do you have 80 PSI of air going to unit?
    - If there is not enough air going to the unit, adjust the regulator accordingly.
  - Do you hear the clean wash pump spinning?
    - If the pump is not spinning, check to see if there is air going to the pump itself (Unscrew hose collar from pump and pull the air hose off. Put thumb on end of air hose and press down on left foot pedal) If there is no air then your air supply is the problem. If there is air, then your pump is not working.
  - Check to see if clean fluid tube in back of unit is pinched or kinked.
2. **Symptom:** I press on the right foot pedal and solvent is not coming out of spout (Even after 5 seconds).

## What to look for:

- Are the switches in the proper positions?
- Is there solvent present in the 2 bung-recirculating can?
- Do you have 80 PSI of air going to the unit?
  - If there is not enough air going to the unit, adjust the regulator accordingly.
- Do you hear the recirculating pump spinning?
  - If the pump is not spinning, check to see if there is air going to the pump itself (Unscrew hose collar from pump and pull the air hose off. Put thumb on end of air hose and press down on right foot pedal) If there is no air then your air supply is the problem. If there is air, then your pump is not working.
- Check to see if there is too much dirt in the bottom of the 2 bung recirculating can, plugging up the pump.
  - If 2 bung recirculating can is dirty, clean it as per servicing section of this manual.

- Check to see if dirty fluid tube in back of unit is pinched or kinked.
3. **Symptom:** I have a manual gun cleaner. When I press on right foot pedal and the solvent trickles out of spout.

**What to look for:**

- The recirculating pump is obstructed by dirt/sludge build-up.
4. **Symptom:** I turn on the automatic timer and nothing happens

**What to look for:**

- Is the lid closed?
  - Is there 80 PSI of air supplied to the unit?
    - Adjust air regulator to output 80 PSI of air.
  - Are the switches in the proper position? (See operating section of this manual).
  - Verify that air is being supplied to the automatic pump. Make sure the air hoses are not kinked or pinched.
  - Are the nozzles clogged? If so, remove them and clean out with a small wire.
5. **Symptom:** The automatic rinse pump is working but fluid is not coming out of nozzles.

**What to look for:**

- Clean nozzles as per servicing section of this manual.
  - Verify that the clean suction straw is not being blocked by sludge build-up in the 2 bung-recirculating can.
  - Verify your 2 bung-recirculating can contains solvent.
  - Verify that the automatic rinse fluid lines are not kinked or pinched.
6. **Symptom:** Every time I touch the Gun Cleaner, I get shocked

**What to look for:**

- Make sure ground strap are connected as per operating section of this manual.
7. **Symptom:** I turn the mode switch to DCS (Direct Connect System) and the dirty solvent is not transferring to the recycler?

**What to look for:**

- Is there recirculating solvent in the 2 bung-recirculating can?
- Is there air going to the dirty transfer pump?
- Is the air supply switch turned to “ON”?
- Verify that the dirty transfer pick-up straw is in the 2 bung recirculating can
- Verify that the dirty transfer pick-up straw is not blocked by sludge or debris.

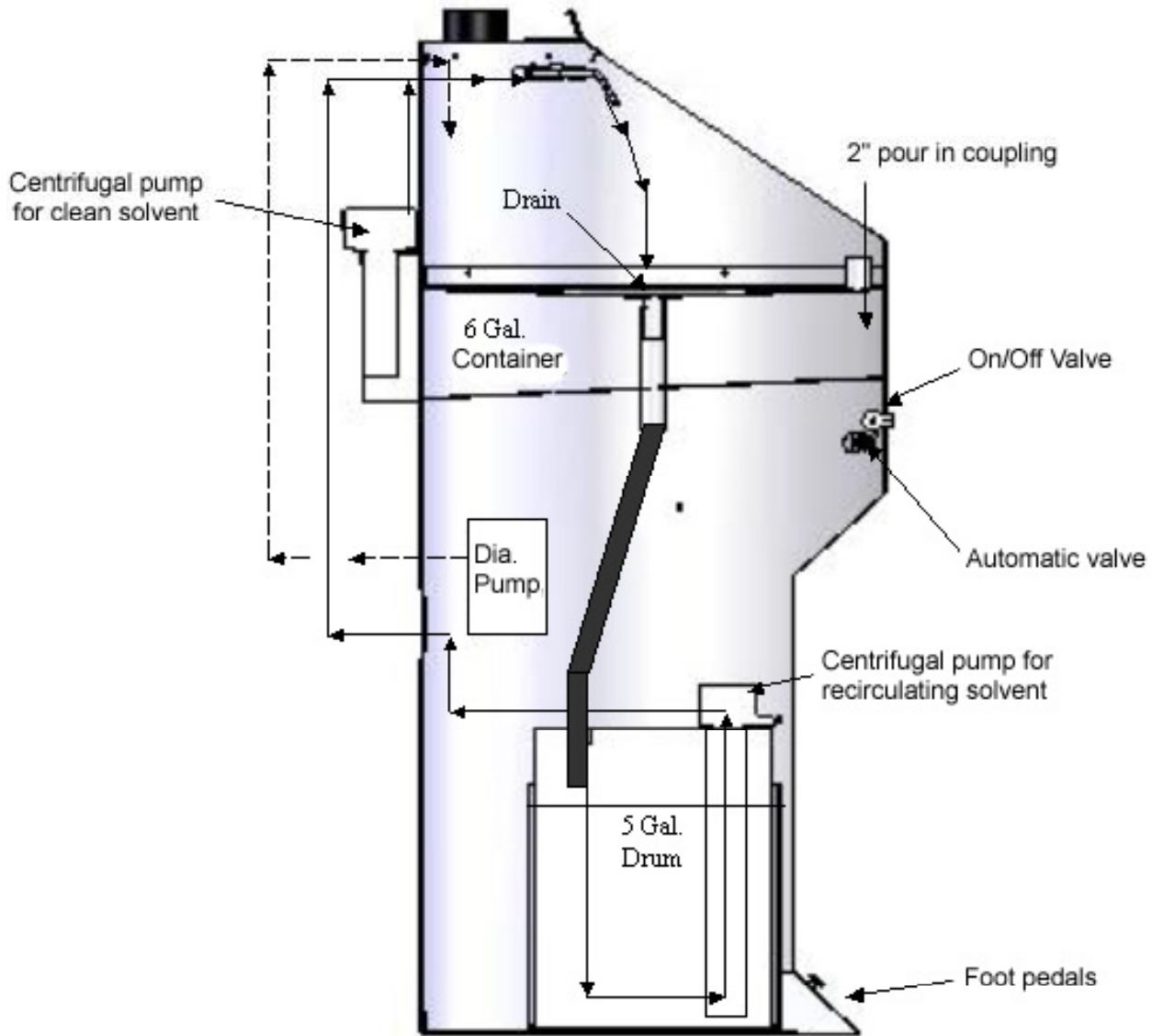
8. **Symptom:** I turn the mode switch to DCS (Direct Connect System) and the clean solvent is not transferring to the clean wash tank?

**What to look for:**

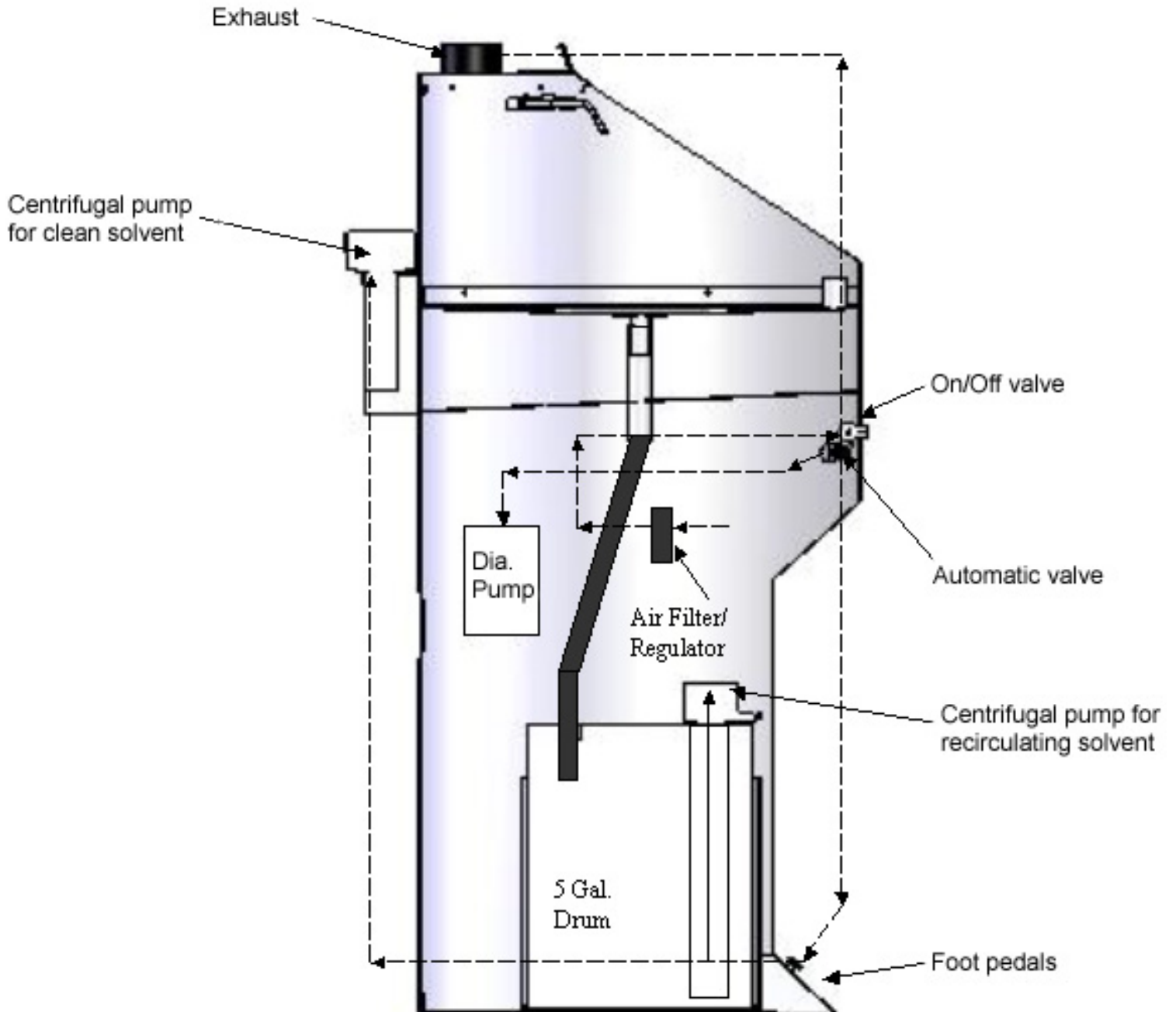
- Is the float on the CC drum of the recycler all the way up?
- Is the air supply switch turned to “ON”?
- Is there air going to the clean transfer pump?
- Verify that clean transfer tube is properly connected to the clean suction straw on the CC Drum.

**Call ChemChamp technical support hotline (800-894-0688) for further assistance.**

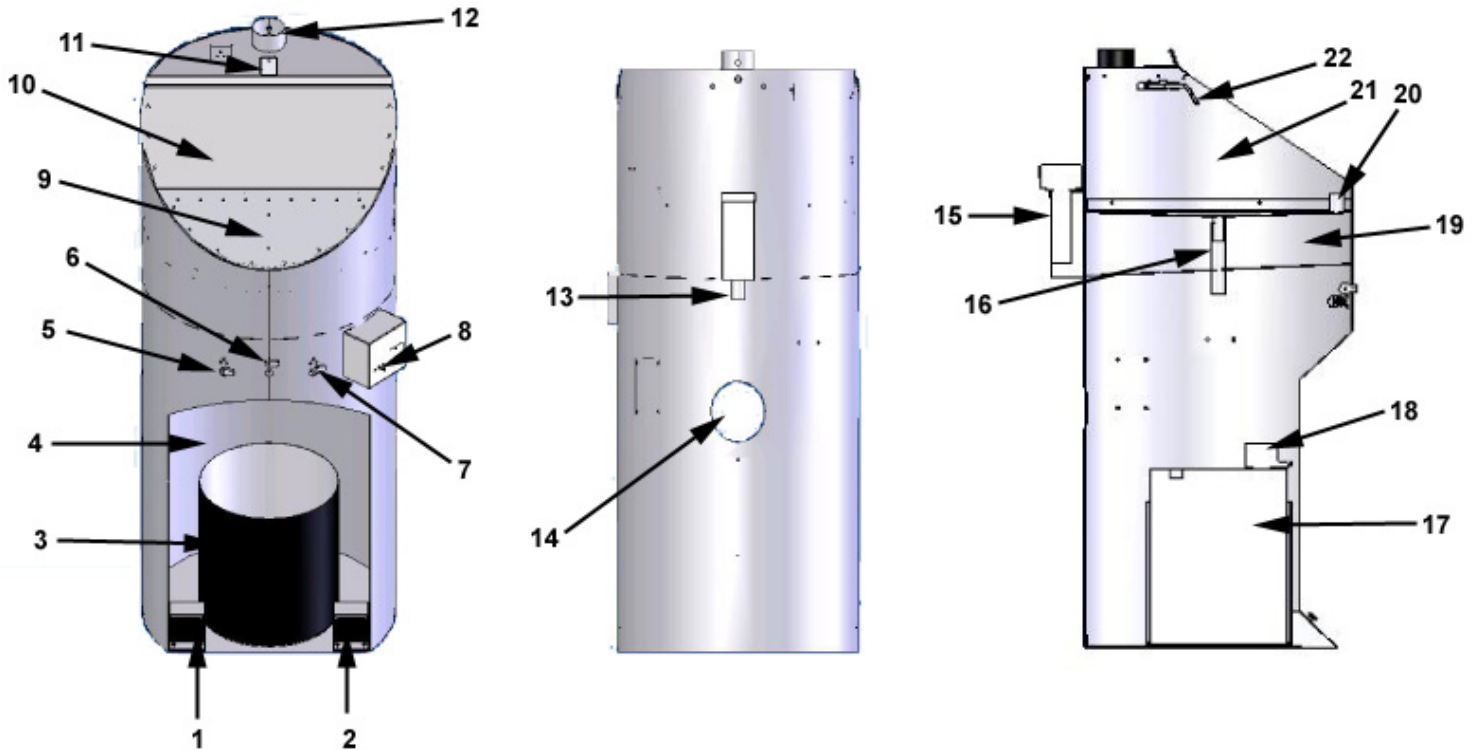
# Fluid Flow Diagram



# Air Flow Diagram



# Components Diagram

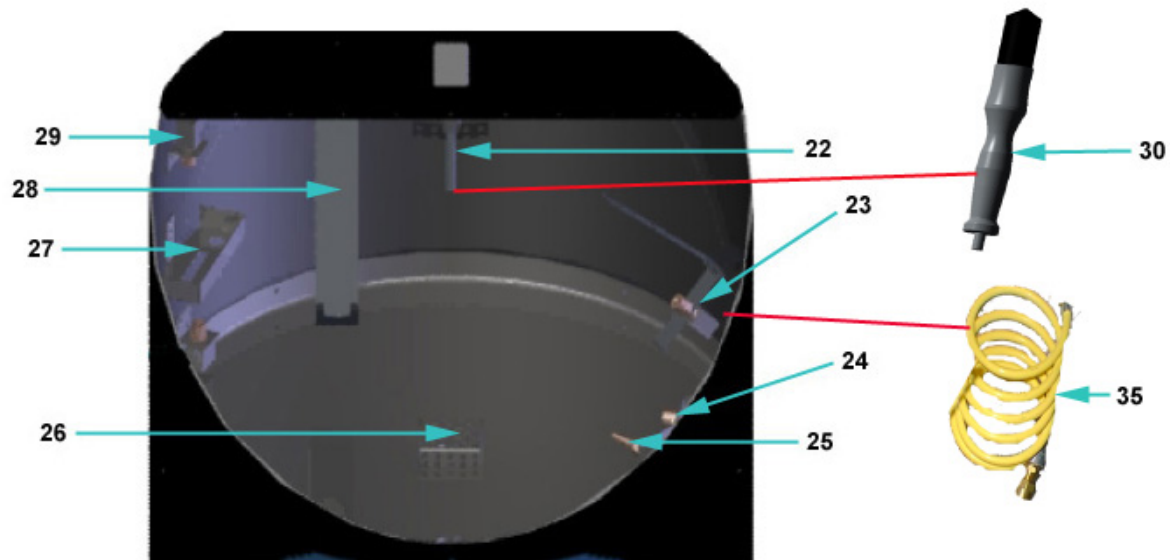


- 1. Clean rinse pedal (Left pedal)
- 2. Dirty rinse pedal (Right pedal)
- 3. Secondary container
- 4. Lower compartment
- 5. Mode switch (Automatic only)
- 6. Air supply switch
- 7. Function switch
- 8. Automatic timer switch (Automatic only)
- 9. Lid Handle
- 10. Lid to sink compartment
- 11. Lid stopper

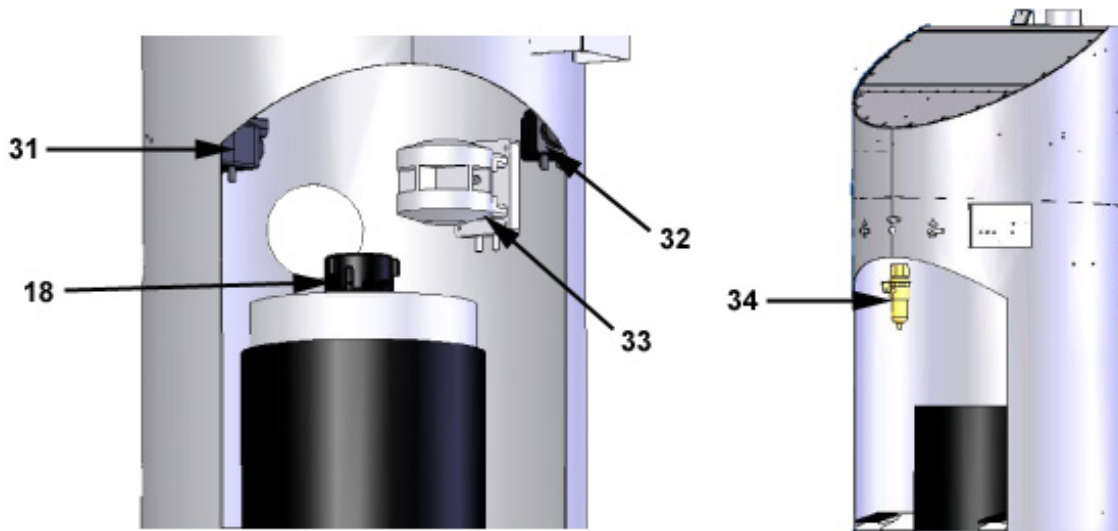
- 12. Exhaust
- 13. Drain for clean wash tank
- 14. Access hole
- 15. Clean manual wash pump (Centrifugal pump short)
- 16. Drain
- 17. 2 bung recirculating can
- 18. Recirculating pump (Centrifugal pump long)
- 19. Clean wash tank
- 20. 2" cap for clean wash tank
- 21. Sink compartment
- 22. Main solvent spout



## Inner Components diagram



- |   |   |
|---|---|
| 18. Recirculating pump (Centrifugal pump long)        | 28. Gravity feed gun bracket (Automatic only) |
| 22. Main solvent spout                                | 29. Overhead shelf nozzle (Automatic only)    |
| 23. Siphon paint cup rinse nozzle (Automatic only)    | 30. Flow through brush                        |
| 24. Siphon gun exterior rinse nozzle (Automatic only) | 31. Clean transfer pump (DCS only)            |
| 25. Siphon gun interior rinse nozzle (Automatic only) | 32. Dirty transfer pump (DCS only)            |
| 26. Drain hole screen                                 | 33. Automatic rinse pump (Automatic only)     |
| 27. Gun nozzle shelf (Automatic only)                 | 34. Air regulator                             |
|   | 35. Automatic airline hose                    |



## Warranty

The Gun Cleaner model series 6A-000 is warranted for 12 months from date of purchase. In order to make any claim under this warranty the defective part(s) must be returned to ChemChamp along with the serial number of the unit in question before any credit and/or replacement part(s) can be issued.

## Parts Return Policy

Before returning parts back to ChemChamp, you must obtain an RMA number by calling the technical support hotline. Parts being returned to ChemChamp must have the serial number of the unit it belongs to as well as the RMA number. The RMA should be placed inside the package as well as on the shipping label. Parts are to be shipped back to ChemChamp prepaid to the following address:

ChemChamp  
Returns Department  
1230 Old Innes Rd, Unit 410  
Ottawa, ON, K1B 3V3

## ChemChamp Contact Information

**Address:**

1230 Old Innes Rd, Unit 410  
Ottawa, ON, K1B 3V3  
Canada

**Telephone:** 613-594-3337

**Fax:** 613-594-3338

**Technical Support hotline:** 800-894-0688

**E-mail:**

General inquiries: [general@chemchamp.ca](mailto:general@chemchamp.ca)

Technical support: [techsupport@chemchamp.ca](mailto:techsupport@chemchamp.ca)

**Website:** [www.chemchamp.ca](http://www.chemchamp.ca) or [www.chemchamp.com](http://www.chemchamp.com)

# Checklist

Serial Number: \_\_\_\_\_

1. Did you connect both grounding straps to a ground source?
2. Is the drain hose inserted into the 2 bung-recirculating can?
3. Did you install exhaust hose to the exhaust and an outside source?
4. Did you pour approximately 4 gallons of clean solvent in the clean tank and leave approximately 1 gallon in the 2-bung service pail?
5. Is the 2" cap for clean wash tank installed?
6. Did you connect air hose to the air regulator?
7. Is the air regulator set between 90 and 100 PSI?
8. When you press on the right foot pedal is there solvent coming from the main solvent spout?
9. When you press on the left foot pedal is there solvent coming from the main solvent spout?
10. Does the automatic timer work?